



INTERVALVE® POONAWALLA LTD.

The name says it all



INTERVALVE IVGKL

Superior performance at reduced cost
Rubber Lined Butterfly Valves for HVAC & Utilities



Authorised Dealer;
PUSHKARNA SALES PVT LTD.
4772. Hauz Qazi. Delhi-110006.
Phones; 011-43675881/9818453355.
Email; sales@pushkarnasales.com
Site; www.pushkarnasales.com

Intervalve's GKL series valves are designed to meet the demanding requirements of the general utility valve market with the HVAC segment in particular. IVGKL is a truly fit & forget valve, which requires minimal maintenance.

The body liner which also functions as the soft seat, comes in an integrally moulded (bonded) version and offers 100% bi-directional sealing. The wafer style body has universal design to fit between pipe flanges of almost all popular flange standards.

Conformity to Codes & Standards :

General design and manufacturing	: EN 593
Valve face to face dimensions	: EN 593 / API 609 category A / Short wafer as per ISO 5752 Tab 5
Top flange drilling	: ISO 5211
Valve inspection and testing	: EN 12266 PART 1
Flange standard	: DIN EN 1092 - PN6 / PN 10, Class 150, JIS5K / 10K, BS10 Tab D&E, IS 6392 Tab 11 / 17

Technical specifications :

• Valve type	: Centric Disc Rubber Lined Butterfly valve with a single piece body.
• Body type	: Short wafer (Sandwiched between flanges)
• Seat type	: Integrally moulded with the body.
• End Connection	: Wafer Sandwiched
• Size range	: DN40 to DN200
• Pressure rating	: PN16 (max)
• Operating temperature range	: -25°C to 80°C
• Seat leakage	: Tight shut off (Bi-directional)
• Operation	: Handlever for sizes from DN40 to DN200
• Standard Material of Construction (MOC)	
Valve Body	: CI (IS 210 FG 260)
Valve Disc	: SGI (GGG 40)
Seat liner	: Nitrile
Drive end and non end shaft	: SS 410

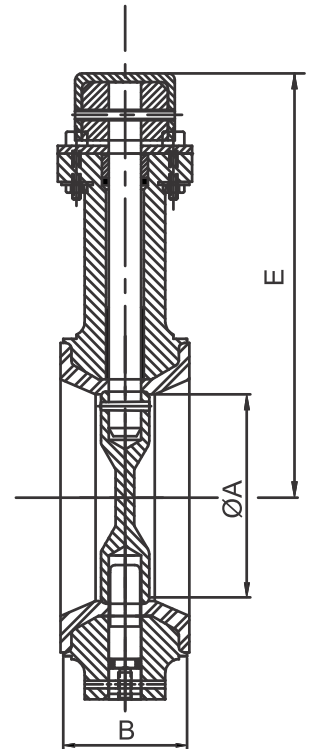
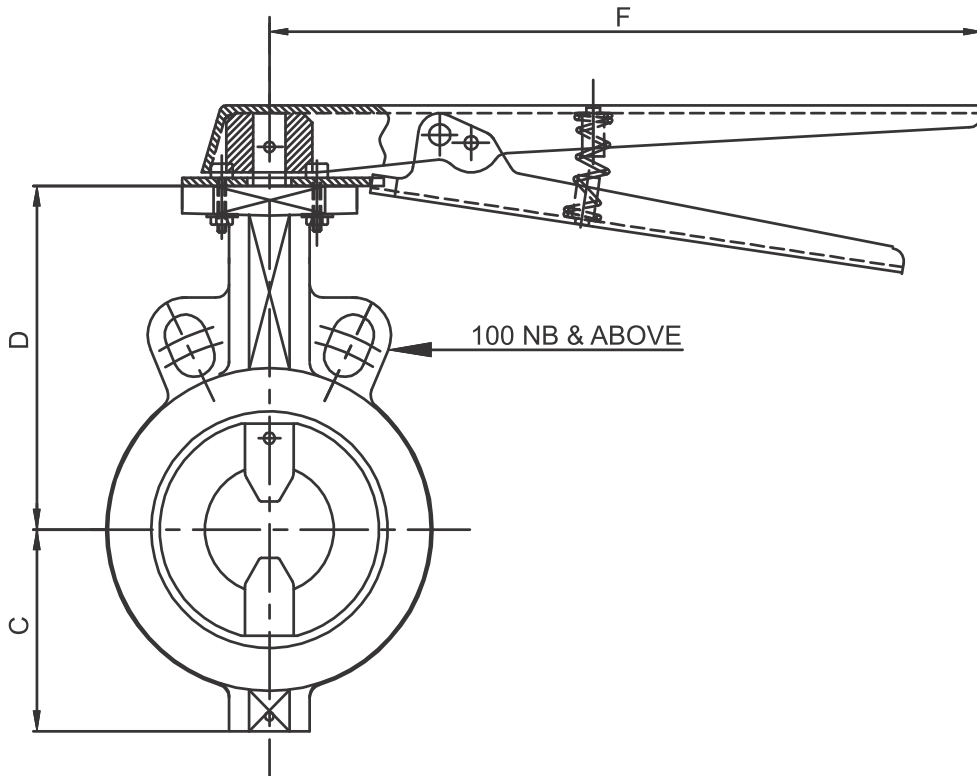
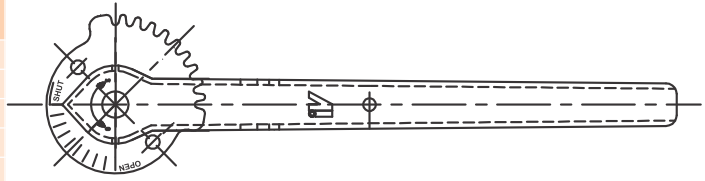


SPECIFICATIONS & DIMENSIONS ARE SUBJECT TO CHANGE WITHOUT PRIOR NOTICE

IV / CAT - 001 / 06 / 14

DIMENSIONS (mm) with Pressed Steel Handlever

VALVE SIZE	ØA	B	C	D	E	F	WT.(kg) Approx.
40	40	33	53	103	133	265	1.8
50	50	43	59	113	143	265	2.2
65	65	46	67	121	151	265	2.7
80	80	46	75	128	158	265	3.3
100	100	52	94	146	176	265	5.0
125	125	56	108	158	188	265	6.5
150	150	56	120	174	206	375	8.0
200	200	60	147	198	230	375	11.0



Key features :

- Integrally moulded seat liner on the body, which ensures excellent dimensional stability & guaranteed seat tightness.
- Seat liner extending on to the contact faces ensures perfect sealing and eliminates the need for separate flange gaskets.
- Unique triple sealing system for shaft sealing ensures zero leakage of the media past the shaft seals.
- Narrow land disc ensures perfect sealing with least operating torque requirements.
- A fully universal body design ensures fitment of the valve between companion flanges of all popular standards (viz : ANSI, BS, DIN, JIS, IS etc).
- A ten position notch disc and handlever ensures locking of the valve in 8 intermediate position in addition to closed and open position. Handlever lockable through pad lock for tamper proof positioning.
- Body castings made of superior FG 260 grade cast iron to ensure additional strength.
- Valve disc made of ductile cast iron instead of cast iron to withstand against possible water hammer or pressure surges.
- A truly line size body bore to ensure maximum flow capacity with the lowest pressure drop.
- Shafts made of martensitic stainless steel to ensure maximum strength and torsional rigidity.
- Both top and bottom shaft swiveling are guided by self-lubricated PTFE bearings.
- Fool proof handlever designed to prevent accidental pinching of hand between the handle and locking lever.



INTERVALVE® POONAWALLA LTD.

The name says it all



94, Manjri, Off Soli Poonawalla Road, Pune 412 307. INDIA.

Tel : (B) +91 - 20 - 2699 3900 (D) : +91 - 20 - 2660 2200 Fax : +91 - 20 - 2699 3921

E-mail : intervalve@poonawallagroup.com www.poonawallagroup.com